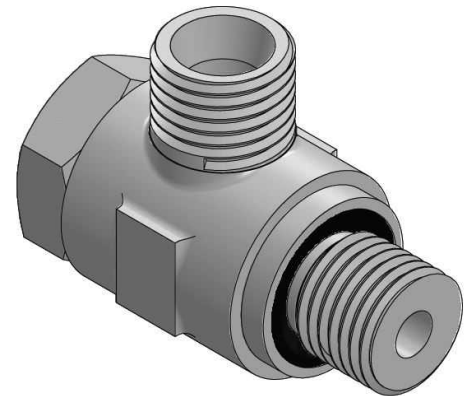
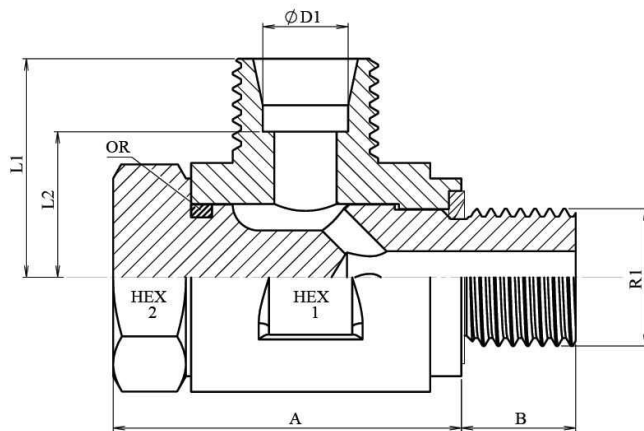


Banjo couplings with captive seal and o'ring BSP cyl



Part n°	ØD1	Serie	R1	Working Pressure (bar)	L1	L2	HEX 1	HEX 2	A	B
STA WSVLL 6 R 1/8	6	LL	1/8" BSP	100	19	13,5	17	17	23,5	8
STA WSVLL 8 R 1/8	8	LL	1/8" BSP	100	19	13,5	17	17	23,5	8
STA WSVL 6 R 1/8	6	L	1/8" BSP	315	19	12	17	17	23,5	8
STA WSVL 8 R 1/4	8	L	1/4" BSP	315	21,5	14,5	22	19	24	12
STA WSVL 10 R 1/4	10	L	1/4" BSP	315	22,5	15,5	22	19	29	12
STA WSVL 12 R 1/4	12	L	1/4" BSP	315	25	18	27	19	35	12
STA WSVL 12 R 3/8	12	L	3/8" BSP	315	25	18	27	24	35	12
STA WSVL 15 R 1/2	15	L	1/2" BSP	315	28,5	21,5	32	27	46	14
STA WSVL 18 R 1/2	18	L	1/2" BSP	315	28,5	21	32	27	46	14
STA WSVL 22 R 3/4	22	L	3/4" BSP	160	35	27,5	41	36	52	16
STA WSVL 28 R 1	28	L	1" BSP	160	39,5	32	50	46	64	18
STA WSVL 35 R 1 1/4	35	L	1"1/4" BSP	160	46,5	36	60	50	75	20
STA WSVL 42 R 1 1/2	42	L	1"1/2" BSP	160	51,5	40,5	70	60	88	22
STA WSVS 6 R 1/4	6	S	1/4" BSP	400	23,5	16,5	22	19	29	12
STA WSVS 8 R 1/4	8	S	1/4" BSP	400	23,5	16,5	22	19	29	12
STA WSVS 10 R 3/8	10	S	3/8" BSP	400	26	18,5	27	24	35	12
STA WSVS 12 R 3/8	12	S	3/8" BSP	400	26	18,5	27	24	35	12
STA WSVS 14 R 1/2	14	S	1/2" BSP	400	30,5	22,5	30	27	46	14
STA WSVS 16 R 1/2	16	S	1/2" BSP	315	30,5	22	30	27	46	14
STA WSVS 20 R 3/4	20	S	3/4" BSP	315	37	26,5	41	36	52	16
STA WSVS 25 R 1	25	S	1" BSP	250	43,5	31,5	50	46	64	18
STA WSVS 30 R 1 1/4	30	S	1"1/4" BSP	160	50,5	37	60	50	75	20
STA WSVS 38 R 1 1/2	38	S	1"1/2" BSP	160	57,5	41,5	70	60	88	22